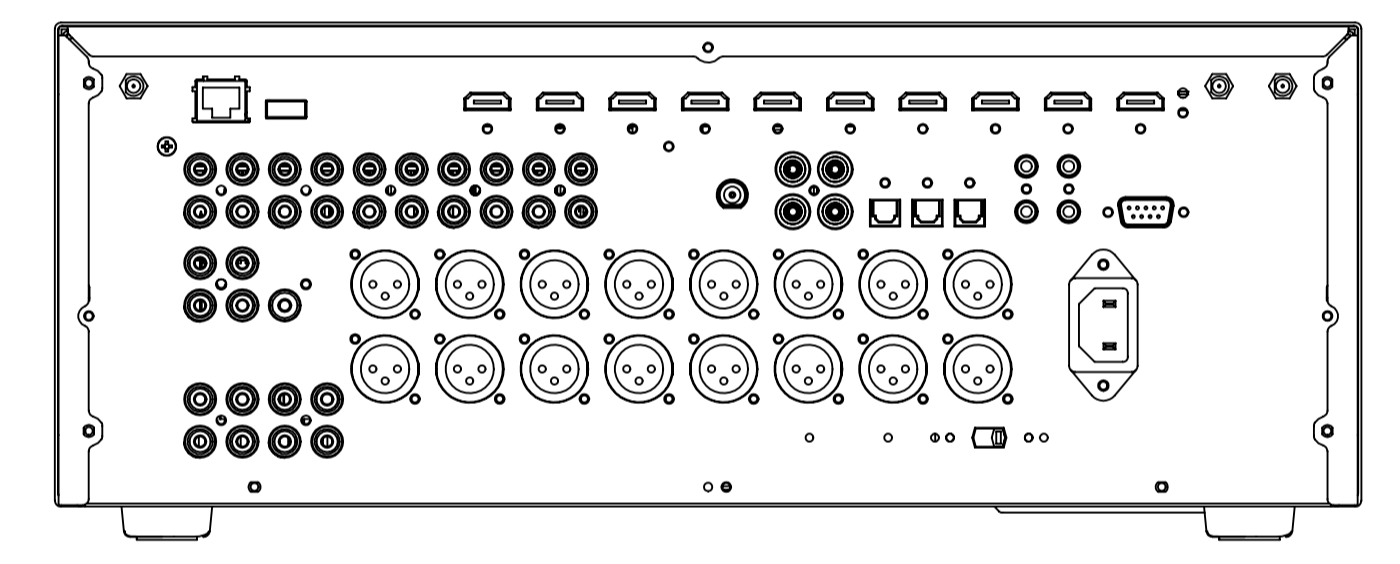
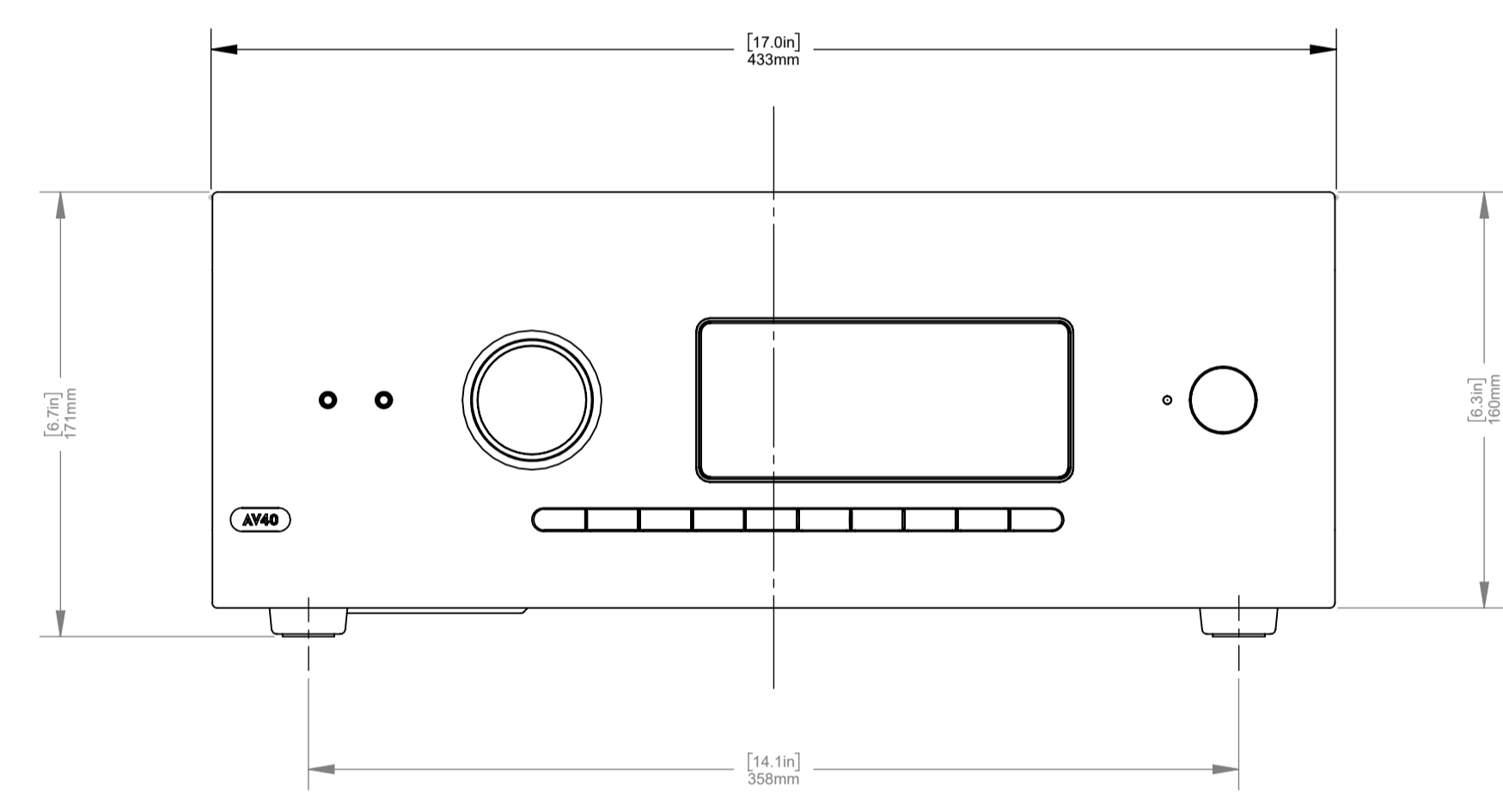
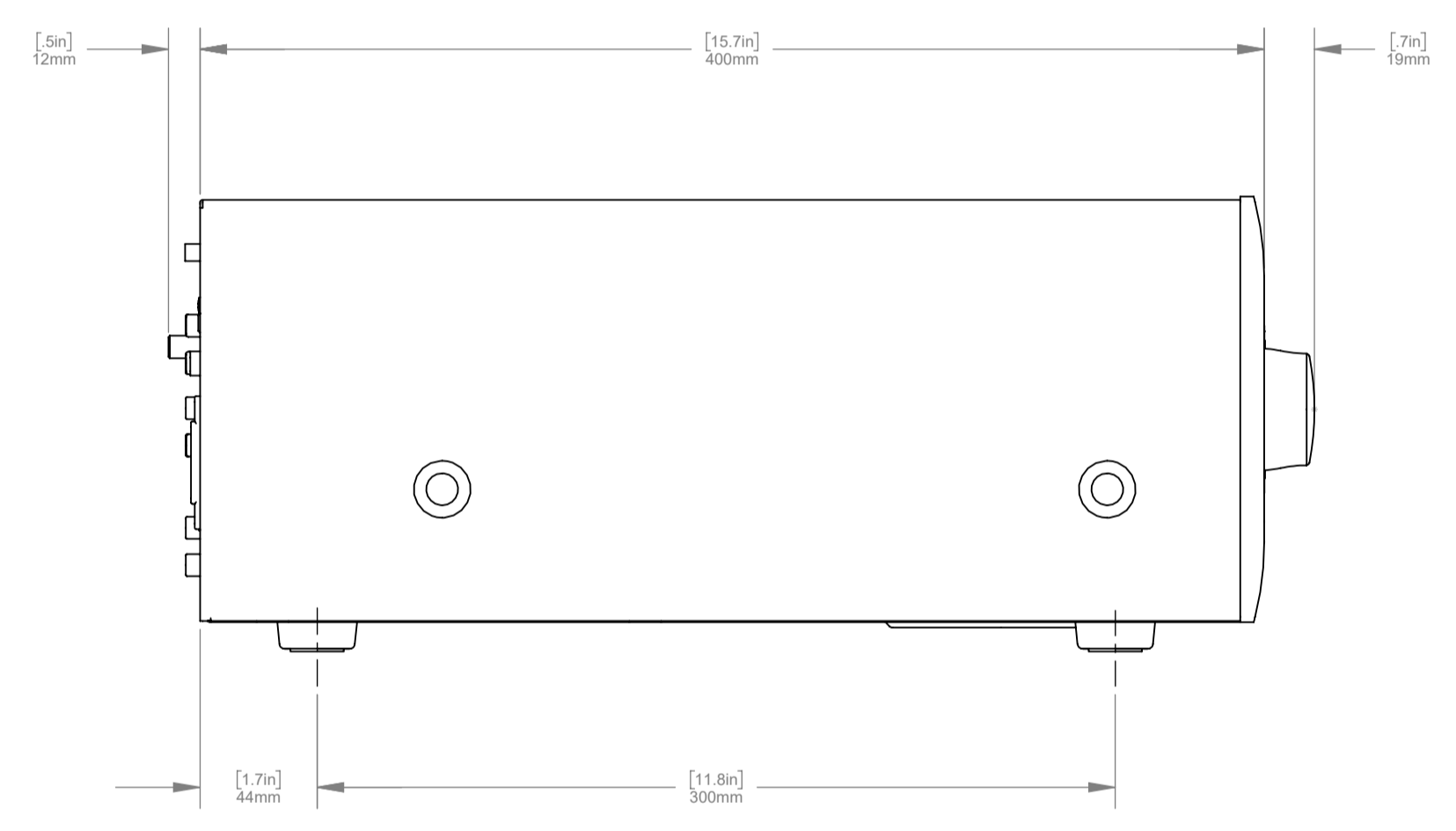
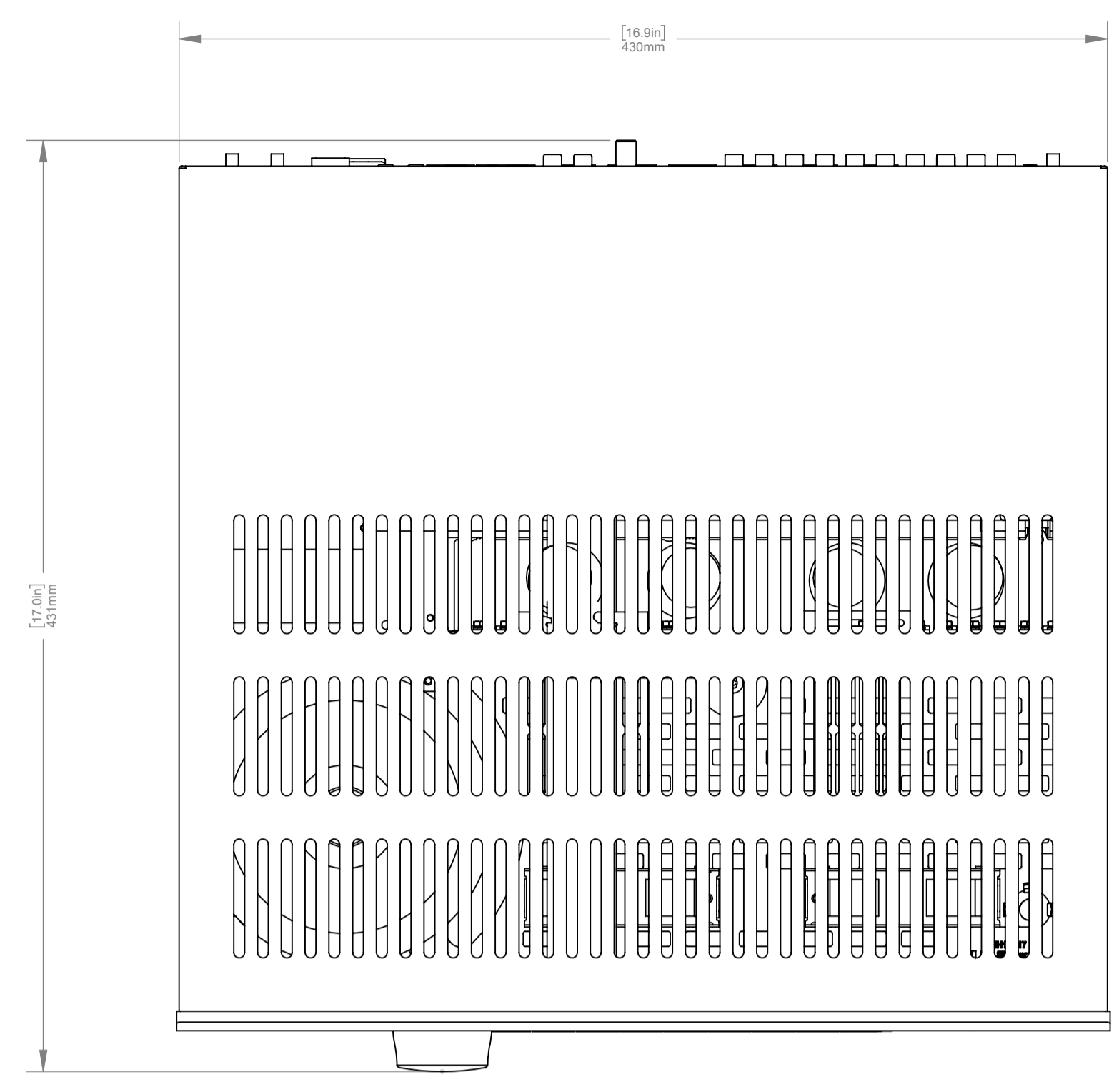
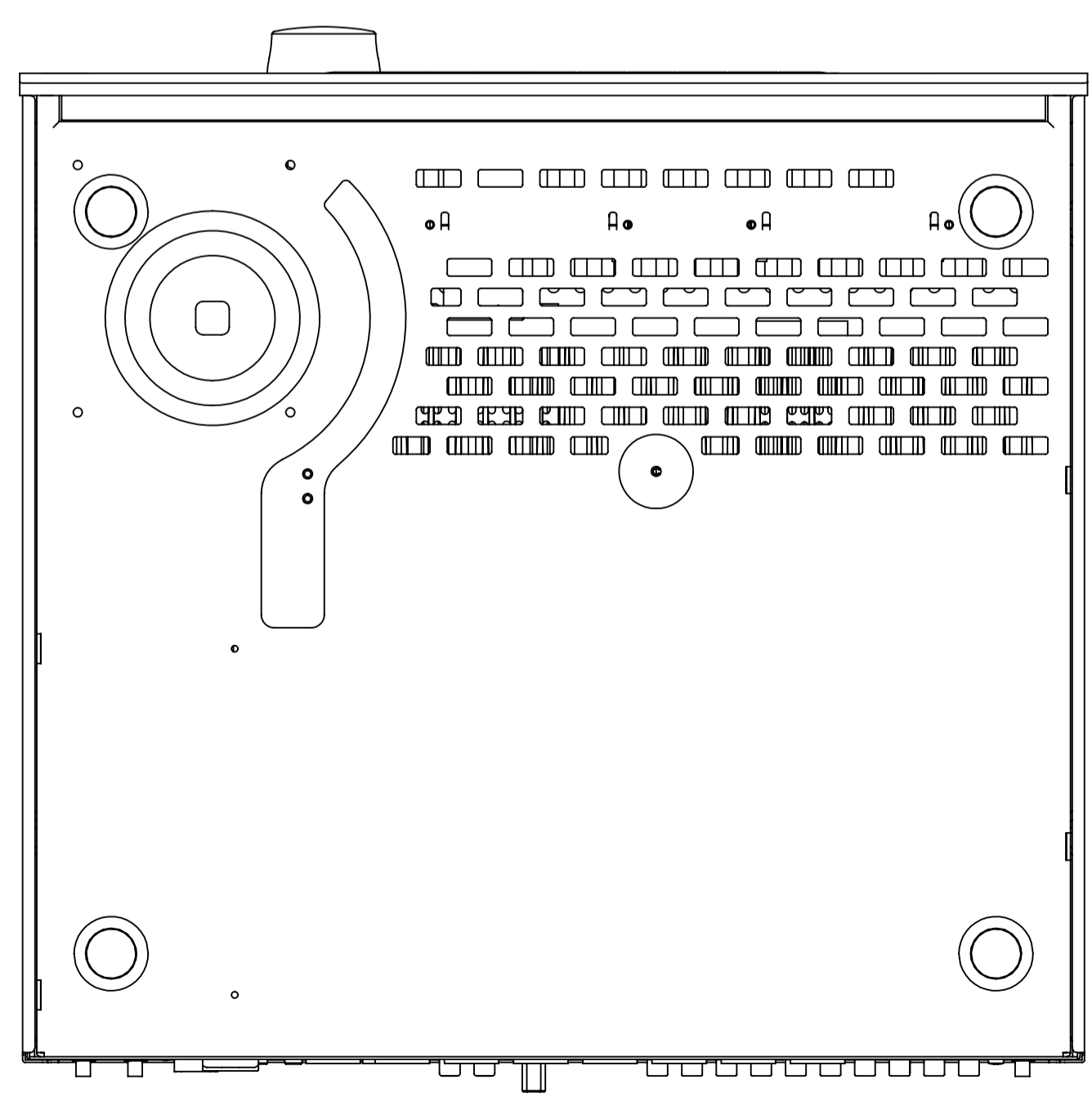


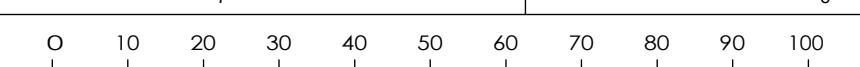
ECO NR.	DATE	CHG.	ZONE	DESCRIPTION OF CHANGE	REL.	DR.	CHK.
FIRST ISSUE	28-11-2019	--	--	--	--	MCM	NC
--	--	--	--	--	--	--	--
--	--	--	--	--	--	--	--
--	--	--	--	--	--	--	--
--	--	--	--	--	--	--	--



REAR VIEW



**NOTE:**  
ALLOW ADEQUATE CLEARANCE  
AROUND THE PRODUCT FOR  
VENTILATION & CONNECTION



<b>ARCAM</b> A & R CAMBRIDGE LTD UNLESS OTHERWISE STATED ANGULAR TOLERANCE: ±1° UNLESS OTHERWISE STATED	ALL DIMENSIONS IN MILLIMETERS UNLESS OTHERWISE STATED	DRAWN BY:	MCM
		DATE:	28-11-2019
MATERIAL:		CHECKED BY:	NC
PART NUMBER AND DRAWING NUMBER <b>AV40</b>		ORIGINAL SCALE 1:2.5	
DRAWING TITLE <b>AV40 ASSEMBLY</b>		A1	